

Pietenpol Air Camper

Designed by B. H. Pietenpol

SPECIFICATIONS

Engine: Model-A Ford

Horsepower: 35 at 1,600rpm

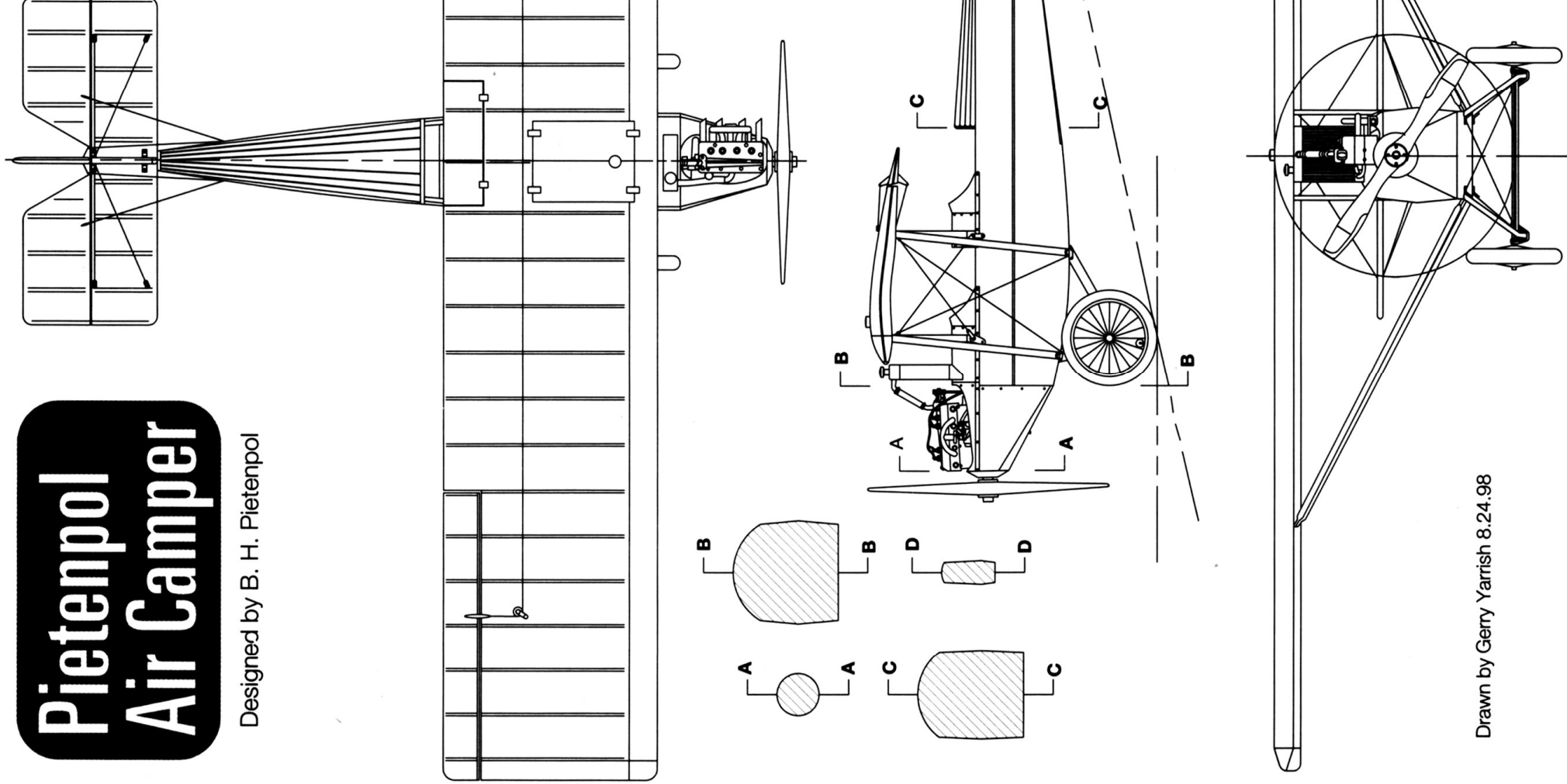
Wingspan: 28 ft.

Chord: 5 ft.

Empty weight: 625 lb.

Useful load: 385 lb.

Flying speed: 60 to 75mph



Drawn by Gerry Yarrish 8.24.98

Scale in feet

